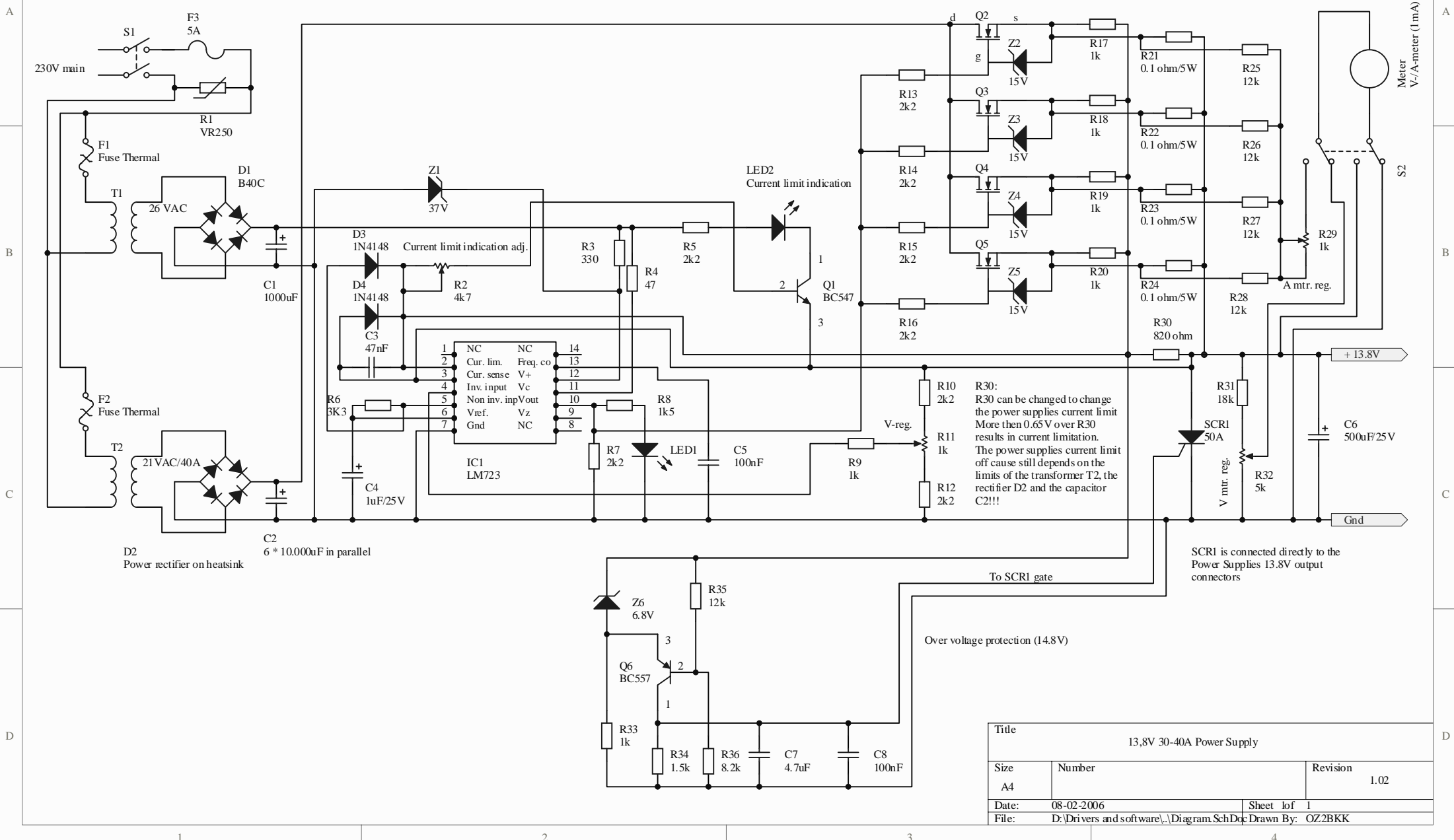


Q2-5 is all IRF150 or BUZ24 Power FET transistors (TO-3) - all placed on heat sink



R30:  
R30 can be changed to change the power supplies current limit. More than 0.65V over R30 results in current limitation. The power supplies current limit off cause still depends on the limits of the transformer T2, the rectifier D2 and the capacitor C2!!!

SCR1 is connected directly to the Power Supplies 13.8V output connectors

Title		
13.8V 30-40A Power Supply		
Size	Number	Revision
A4		1.02
Date:	08-02-2006	Sheet of 1
File:	D:\Drivers and software\Diagram.SchDoc Drawn By: OZ2BKK	